

# PORT EQUIPMENT



## MOL RORO TRACTOR TYPE RM255/4x4

### ENGINE

- Make : Volvo
- Type : TAD871VE - Stage 4
- Max. output : 185 Kw (252 HP) at 2.200 rpm.
- Max. torque : 1150 Nm at 1.100 rpm.
- Displacement : 7,7 lit.
- Bore & stroke : 110 x 135 mm.
- Cylinders : 6 cylinders in line
- Cooling system : Water cooled
- Aspiration : Turbocharged and aftercooled.

### TRANSMISSION

- Type : ZF Powershift transmission with torque converter.
- Type : 6WG211
- Speeds : 6 forward and 3 reverse

### TRANSFER BOX

- Transfer box with continuous 4x4 drive.
- Differential lock.

### FRONT AXLE

- Model : Kessler drive steer axle
- Capacity : 20.000 Kg. (at 20 Km/h)

### REAR AXLE

- Model : Kessler drive axle, double reduction
- Capacity : 38.000 Kg. (at 20 Km/h)

### FRONT SUSPENSION

- Type : Maintenance-free parabolic leaf-springs and double-acting shock absorbers.

### REAR SUSPENSION

- Type : Directly mounted to chassis.

### TYRES

- Front : Single 11R22,5
- Rear : Dual 11R22,5

### WHEELS

- 22,5 x 7,5 discwheel 10-hole

### BRAKES

- Brakes with air-pressure, independent front and rear operated brakes.
- Parking brake with spring brake cylinders working on the rear wheels.
- Air-pressure connections for coupling of the semi-trailer.
- Air drying system.
- Air tanks: cap. 120 lit.

### STEERING

- Hydrostatic power steering system with priority valve and emergency steering property. Steering cylinders on front axle.

### CAB

- One-man cab with forward facing drivers position.
- Suspended cab.
- Rear sliding door.
- Good visibility, safety glass.

- Air-suspended and adjustable driver seat.
- Removable dashboard with water temperature, fuel-level gauge, air pressure, rpm, speedometer and hour-meter.
- Engine dependant heating system with electric blower.
- Two-speed windscreen wiper and washer on front window.
- Two large exterior mirrors.
- Floor is covered with a noise reducing rubber mat.

### FIFTH WHEEL

- Type : 2" fifth wheel
- Hydraulic operated by two double-acting hydraulic cylinders.
- Capacity : 36.000 Kg.
- Unlocking by air, operated from the cab.

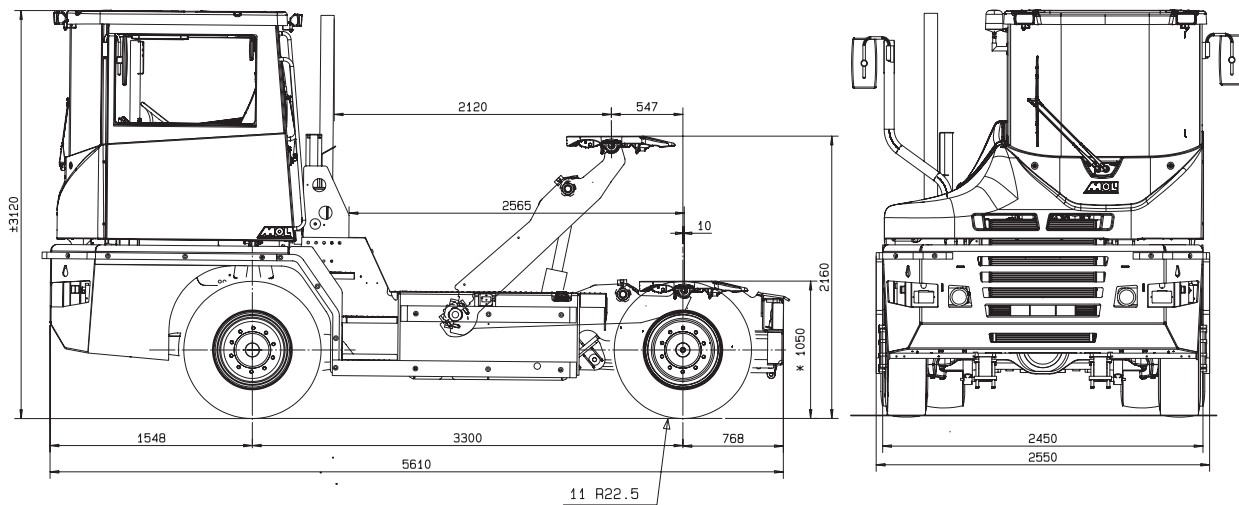
### HYDRAULIC SYSTEM FOR FIFTH WHEEL

- Hydraulic valve controlled from inside the cab to lift-lower the fifth wheel.

### ELECTRICITY

- 24 Volt negative ground.
- 2 batteries 180 Ah.
- 24 Volt starter.
- 24 Volt alternator 80 A.

# TECHNICAL DRAWING



S6572

## LIGHTING

- Headlights, tail lights, stop lights, direction indicators, fifth wheel back-up light and rotating beacon light.

## FRAME

- Welded construction.
- Steps and walkways with non-slip surfaces.
- Steelplate protection for air-, fuel- and hydraulic tank.

## AIR INLET

- Heavy duty multistage air cleaner with safety element.

## EXHAUST

- Muffler with vertical exhaust and wire protection.

## FUEL TANK

- 1 fuel tank
- Capacity : 200 lit.

## PAINTING

- High build two pack epoxy primer/surfacer with high protection against corrosion.
- High build two-pack acrylic lacquer with outstanding weather resistance.

## WEIGHTS

- Empty weights : ca. 11.000 Kg.
- Max. G.C.W. : 150.000 Kg

## PERFORMANCES

- Max. speed empty : ca. 40 km/h
- Max. tractive effort : ca. 290 kN

## OPTIONS

- Engine Volvo TAD872VE - stage 4  
Max output: 210kW (286hp) at 2200 rpm  
Max torque: 1250Nm at 1100 rpm
- Engine Volvo TAD873VE - Stage 4  
Max output: 235kW (320hp) at 2200 rpm  
Max torque: 1300Nm at 1200 rpm
- Two driving positions.
- Air suspension with rubber stops on rear axle.
- Mudfenders with flaps on rear wheels.
- Rubber mudfenders.
- Steel mudfenders.
- Air conditioning.
- Windscreen wiper on rear window.

MOL cy nv  
DIKSMUIDESTEENWEG 68  
8840 STADEN - BELGIUM

T +32 (0)51 70 16 81  
F +32 (0)51 70 30 38

info@molcy.com  
www.molcy.com

Dealer: