

PORT EQUIPMENT



MOL TERMINAL TRACTOR TYPE YM225/4x2

ENGINE

- Make : Cummins
- Type : QSB6.7-C225 - Stage 4.
- Max. output :
 - 172 Kw (230 HP) at 2,000 rpm.
 - 168 Kw (225 HP) at 2.200 rpm.
- Max. torque : 949 Nm at 1.500 rpm.
- Displacement : 6,7 lit.
- Bore & stroke : 107 x 124 mm.
- Cylinders : 6 cylinders in line
- Cooling system : Water cooled
- Aspiration : Turbocharged and aftercooled.

TRANSMISSION

- Type : Allison automatic transmission with torque converter.
- Model : 3000
- Speeds : 5 forward, 1 reverse
- Ratio's : 3,49 - 1,86 - 1,41 - 1,00 - 0,75 (Rev.: 5,03)

FRONT AXLE

- Model : Daf steer-axle
- Capacity : 11.000 Kg. (at 20 Km/h)

REAR AXLE

- Model : Kessler drive axle, double reduction
- Capacity : 38.000 Kg. (at 20 Km/h)

FRONT SUSPENSION

- Type : Maintenance free parabolic leaf-springs and double-acting shock absorbers.

REAR SUSPENSION

- Type : Directly mounted to chassis.

TYRES

- Front : Single 11R22,5
- Rear : Dual 11R22,5

WHEELS

- 22,5 x 7,5 discwheel 10-hole

BRAKES

- Brakes with air-pressure, independent front and rear operated brakes.
- Parking brake with spring brake cylinders working on the rear wheels.
- Air-pressure connections for coupling of the semi-trailer.
- Air drying system.
- Air tanks: cap. 120 lit.

STEERING

- Hydrostatic power steering system with priority valve and emergency steering property. Steering cylinder on front axle.

CAB

- One-man cab with forward facing drivers position.
- Suspended cab.
- Inboard door.
- Good visibility, safety glass.
- Air-suspended and adjustable driver seat.
- Removable dashboard with display for water temperature, fuel-level gauge, air pressure, rpm, speedometer and hour-meter.
- Engine dependant heating system.
- Two-speed wipers and washer on front window.
- Two large exterior mirrors.
- Floor is covered with a noise reducing rubber mat.

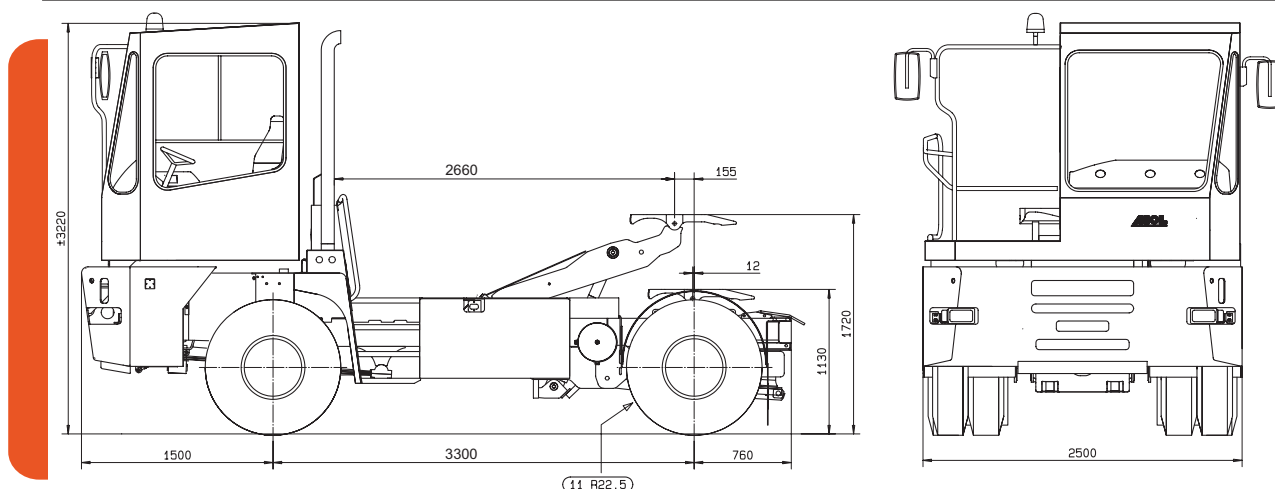
FIFTH WHEEL

- Type : 2" fifth wheel
- Hydraulic operated by two double-acting hydraulic cylinders.
- Capacity : 36.000 Kg.
- Unlocking by air, operated from the cab.

HYDRAULIC SYSTEM FOR FIFTH WHEEL

- Hydraulic valve controlled from inside the cab to lift-lower the fifth wheel.

TECHNICAL DRAWING



ELECTRICITY

- 24 Volt negative ground.
- 2 batteries 180 Ah.
- 24 Volt starter.
- 24 Volt alternator 70A.

LIGHTING

- Headlights, tail lights, stop lights, direction indicators, fifth wheel back-up light and rotating beacon light.

FRAME

- Welded construction.
- Steps and walkways with non-slip surfaces on both sides of the chassis.
- Steelplate protection for air-, fuel- and hydraulic tank

AIR INLET

- Heavy duty multistage air cleaner with safety element.

EXHAUST

- Aftertreatment system with DOC-SCR and vertical exhaust

FUEL TANK

- 1 fuel tank
- Capacity : 200 lit.

PAINTING

- High build two pack epoxy primer/surfacer with high protection against corrosion.
- High build two-pack acrylic lacquer with outstanding weather resistance.

WEIGHTS

- Empty weights : ca. 8.000 Kg.
- Max. G.C.W. : 80.000 Kg

PERFORMANCES

- Max. speed empty : ca. 40 km/h
- Max. tractive effort : ca. 152 kN
- Max. grade with max. G.C.W. : ca. 19%

OPTIONS

- Air suspension with rubber stop.
- Mudfenders with flaps on rear wheels.
- Rubber mudfenders.
- Steel mudfenders.
- Air conditioning.
- Windscreen wiper on rear window.

MOL cy nv
DIKSMUIDESTEENWEG 68
8840 STADEN - BELGIUM

T +32 (0)51 70 16 81
F +32 (0)51 70 30 38

info@molcy.com
www.molcy.com

Dealer: